

PRODEMAND

YMMS: 2006 Chevrolet Cobalt SS
Engine: 2.4L Eng
VIN:

Feb 24, 2022
License:
Odometer:

POWER DISTRIBUTION

Fig 1: Power Distribution Circuit (1 of 3)

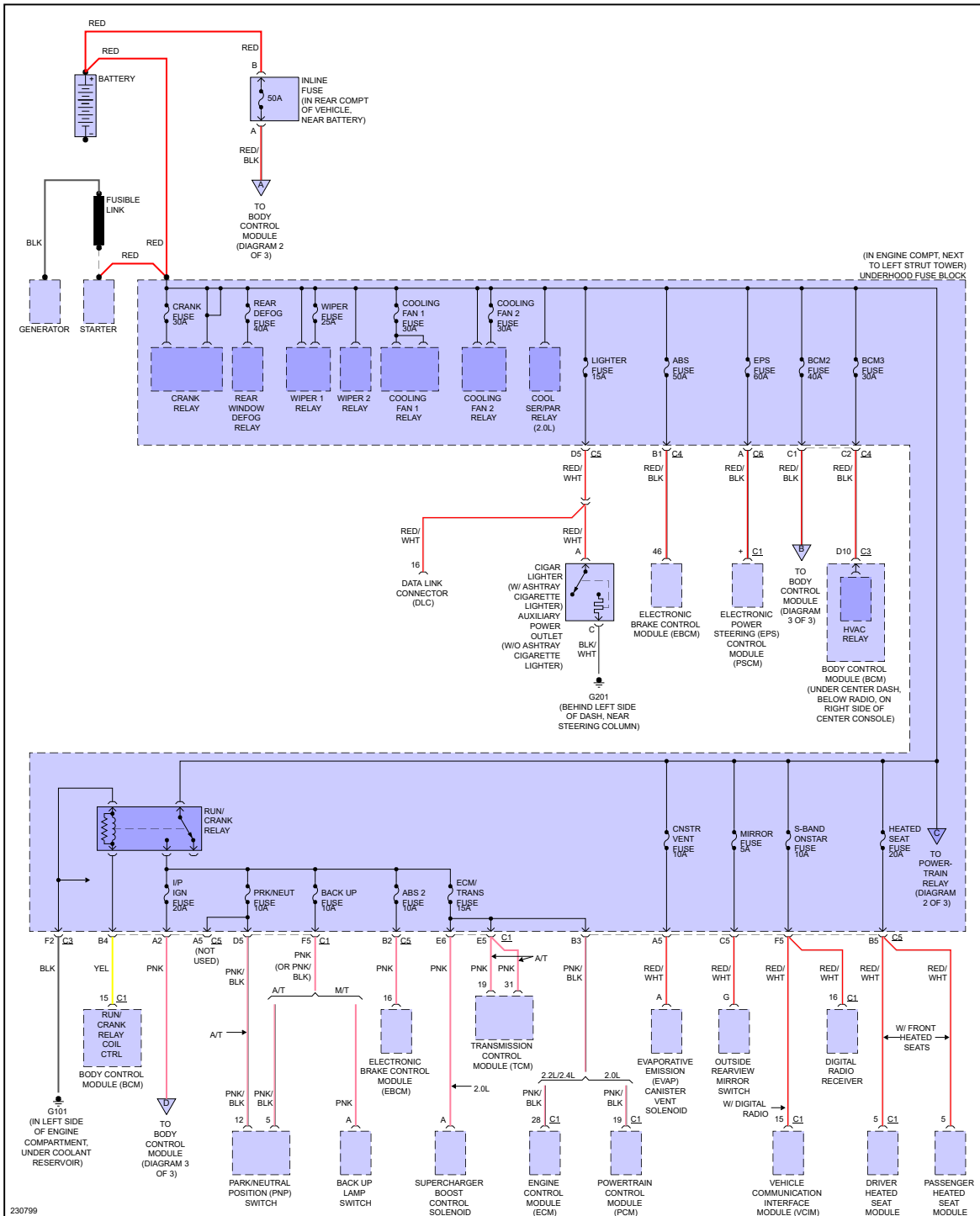


Fig 2: Power Distribution Circuit (2 of 3)

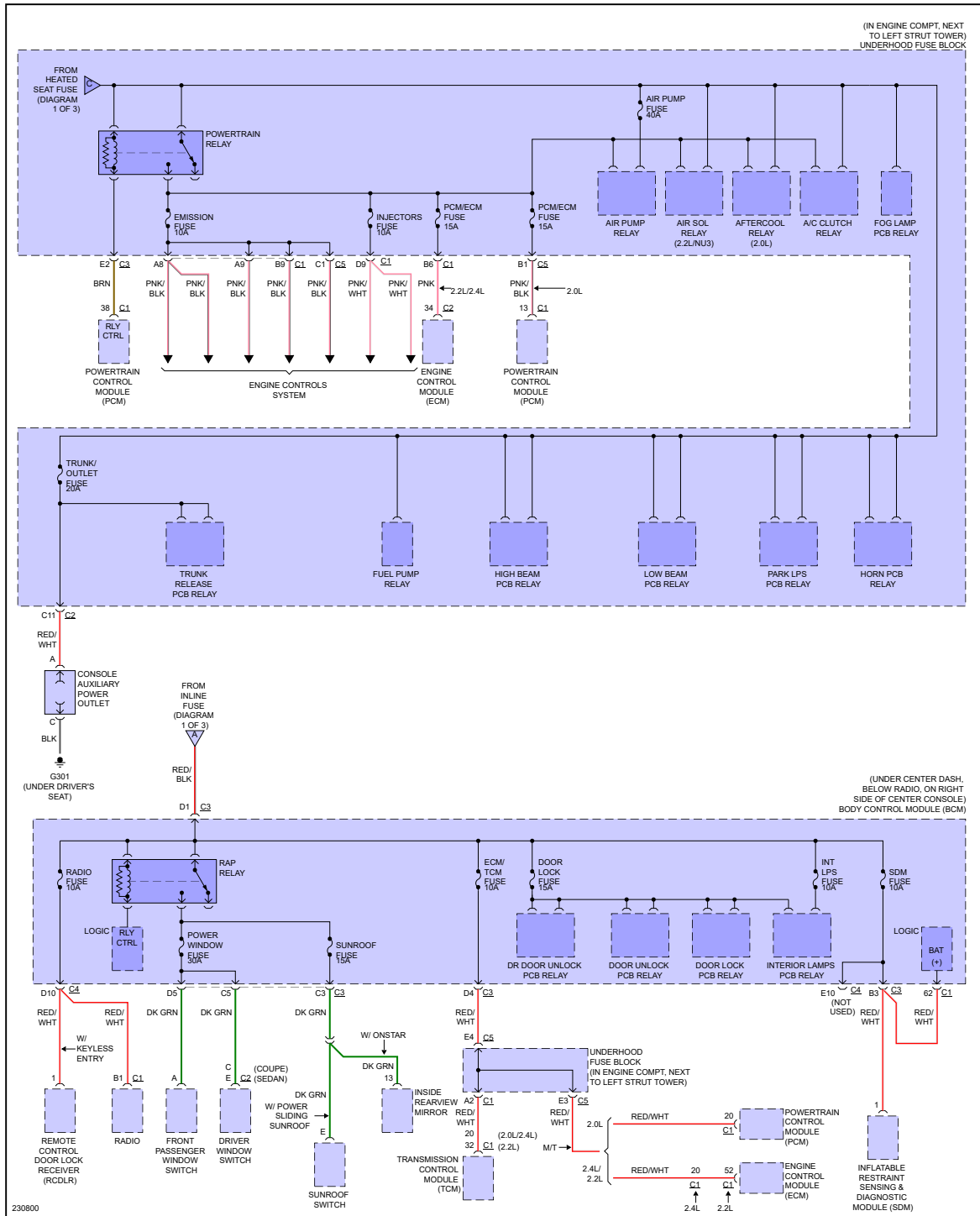


Fig 3: Power Distribution Circuit (3 of 3)

