

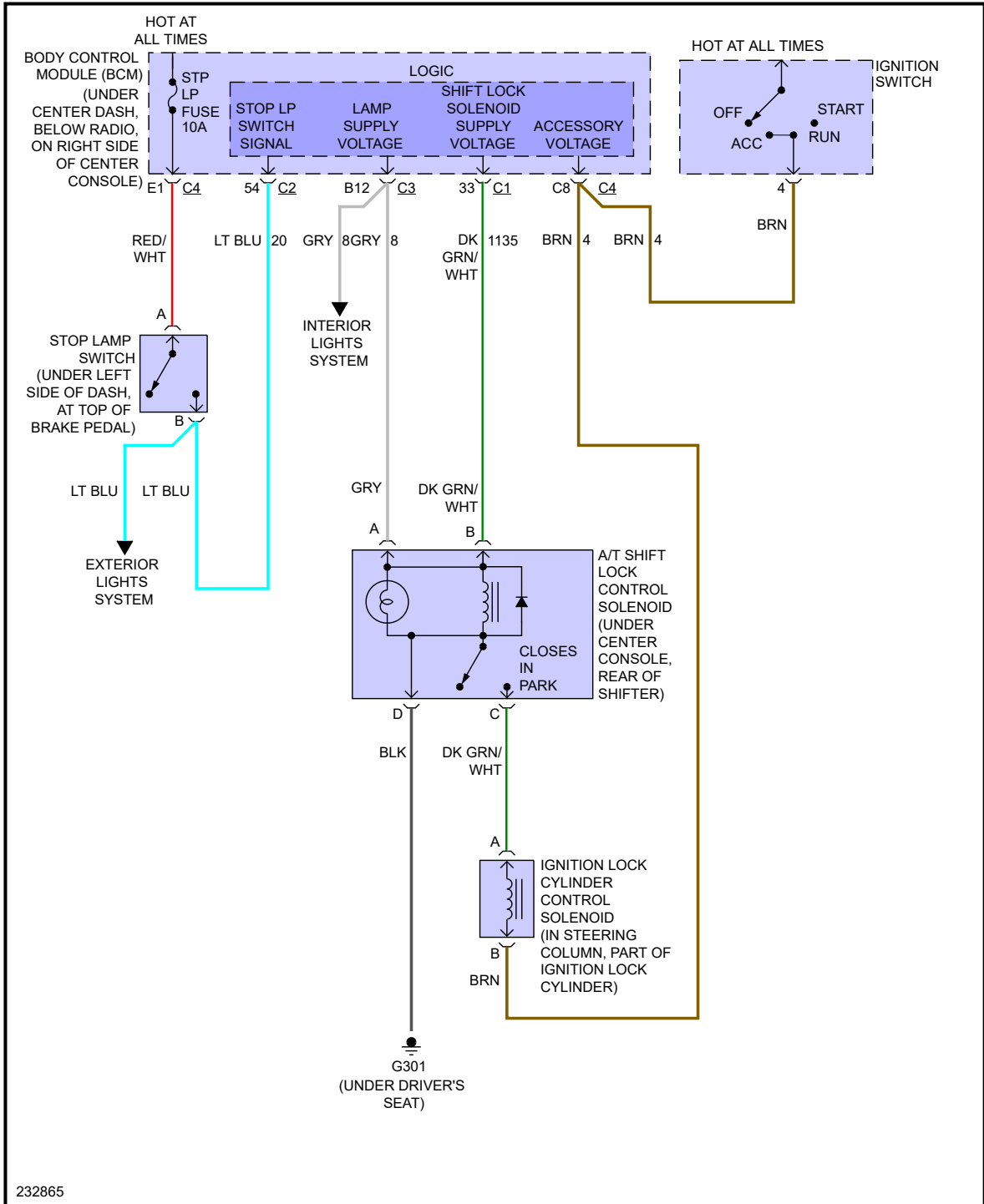
PRODEMAND

YMMS: 2006 Chevrolet Cobalt SS
Engine: 2.4L Eng
VIN:

Feb 24, 2022
License:
Odometer:

SHIFT INTERLOCK

Fig 1: Shift Interlock Circuit



232865